

# AXIS® POST

## SLOTTED POST FOR RIGID PANEL FENCING

### AXIS® C, SR, D, DR



→ 7 standard colours:

Blue 5002, Green 6005, Grey 7016, Grey 7035, Brown 8019, Black 9005, White 9010.

→ 10 regular colours:

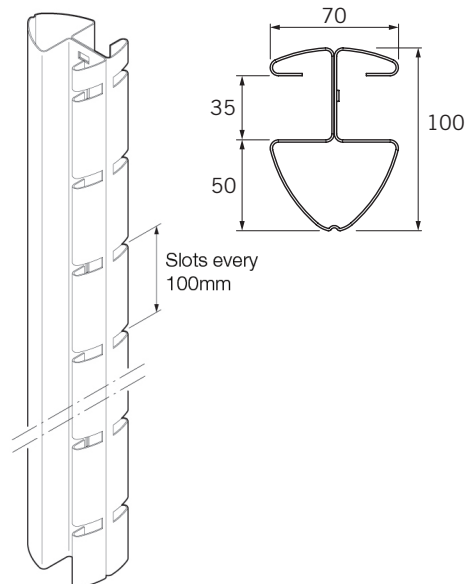
Beige 1015, Yellow 1023, Red 3002, Red 3004, Blue 5010, Blue 5015, Green 6009, Grey 7030, Brown 8014, Grey 9006.

→ Other RAL colours

→ 10 sanded coatings from the Elegance® Collection.

Coating ensures higher corrosion and impact resistance.

The **AXIS® post** provides protection and security for high-risk or windy sites in fence heights up to 3m.



Housing complexes



Businesses



Administrations & local authorities



Industrial & logistics hubs



Sensitive sites



Post with concrete gravel board



Installation with extension arms + barbed wire



Installation with double extension arms + Tigre barbed tape

### Quick and easy to install

- EASYFIX installation system.
- No fixing devices required.
- One single post type for the start and end of the fence and for intermediate sections and corner junctions.
- Installation in forward sequence, no accessories required.



### High security

- Tamper-proof once installed.
- Security options: AXIS® extension arms (single or double) with barbed wire (2-4 rows), Tigre barbed tape or AXIS® D panels, grounding, etc.



Scan the QR code to watch the helpful installation video.

### Versatile

- Suitable for all sites (curved, angled or sloping premises).
- Several installation configurations: long embedding, short embedding, on welded plate, on sleeve plate, surface mounting, fence start.

### Durable

- Sendzimir strips.
- Polyester High Adherence plastic coating.
- 10 year anti-corrosion guarantee.
- Optional PROTECT + finish for the most corrosive areas.



DIRICKX reserves the right to change its photos at any time to make the necessary improvements. Actual products may vary from photos and colours - Passerelle.com - May 2013 - GA 305041